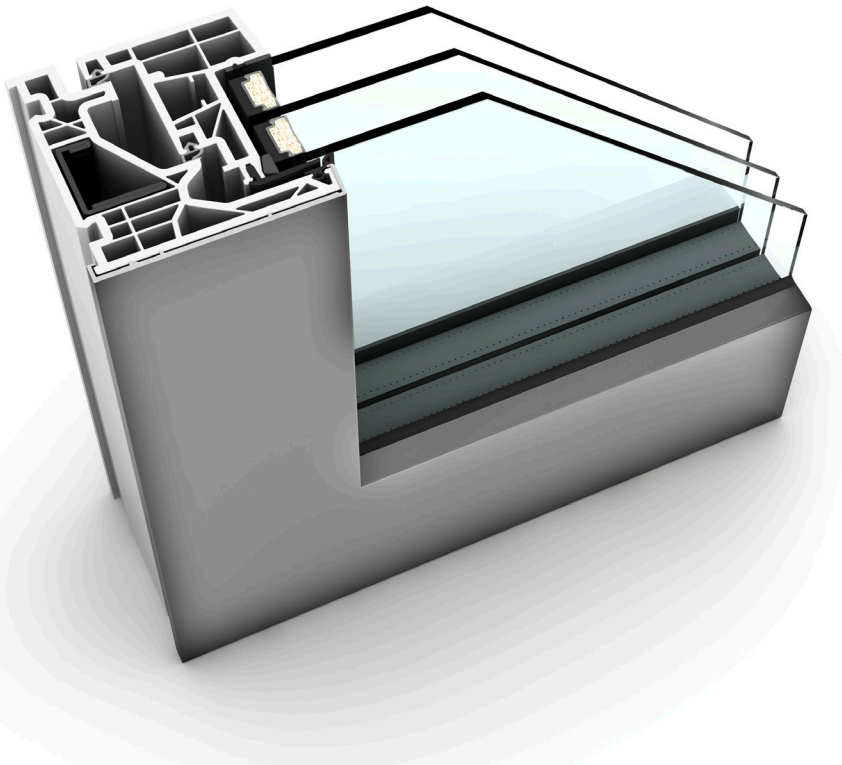







# KF 520 UPVC AND UPVC/ALUMINIUM WINDOW



## PROPERTIES

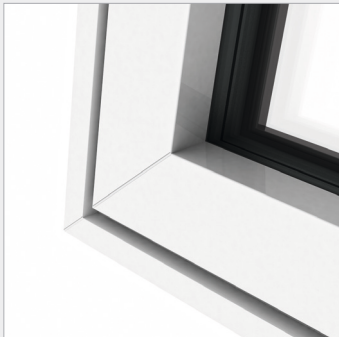
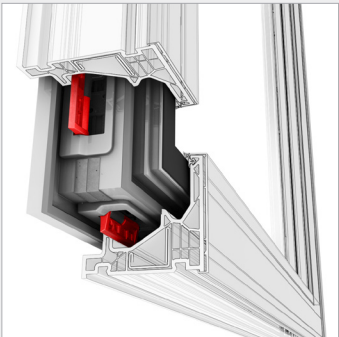
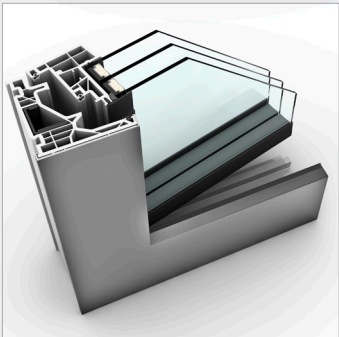
	<b>Thermal insulation</b>	$U_w$ as low as 0.63 W/(m <sup>2</sup> K)
	<b>Sound reduction</b>	up to 46 dB
	<b>Security</b>	RC3, RC2, RC2N
	<b>Locking</b>	fully integrated
	<b>Construction depth</b>	90/93 mm

**I-tec Secure**

**I-tec Glazing**



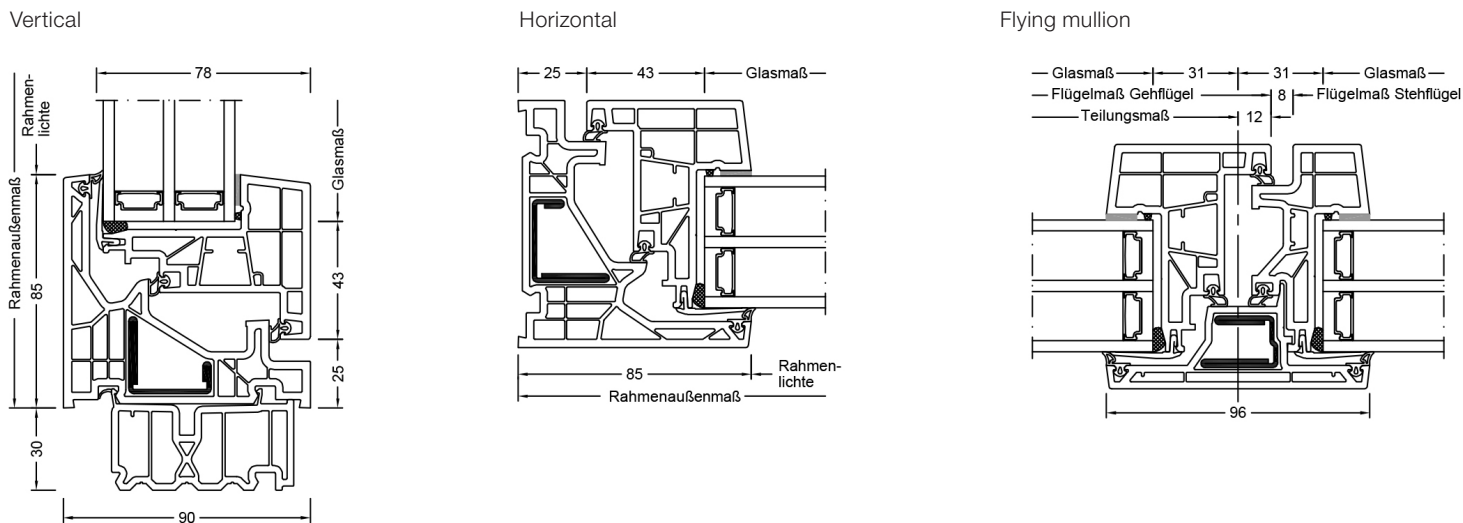
Experience KF 520 interactively now with Augmented Reality



### KF 520

More glass, more light, more security: KF 520 combines innovative design with technical know-how. The window sash is not visible from the outside due to its glass appearance and cannot be distinguished visibly from fixed elements. This sash also contains the revolutionary locking I-tec Secure which renders levering of the window almost impossible - unrivalled. Integrated flaps press on all sides into the frame profile when locking, ensuring maximum security protection.

**Sections**



**Values**

Glass buildup	GC	Spacer	Coating	Ug	g	Uf	Psi	Uw	Thermal certif.	Rw	C	Ctr	Sound certif.
4b/18Ar/4/18Ar/b4	3N2	Iso	ECLAZ	0.5	60%	0.99	0.033	0.70	YES	33	-1	-6	YES
		Alu	ECLAZ	0.5	60%	0.99	0.075	0.81	YES	33	-1	-6	YES
6b/18Ar/4/16Ar/b4	33U	Iso	ECLAZ	0.5	59%	0.99	0.033	0.70	YES	38	-2	-6	YES
		Alu	ECLAZ	0.5	59%	0.99	0.075	0.81	YES	38	-2	-6	YES
4b/16Ar/4/15Ar/ b44.2(VSG-S)	34N	Iso	ECLAZ	0.6	60%	0.99	0.033	0.78	YES	41	-2	-7	YES
		Alu	ECLAZ	0.6	60%	0.99	0.075	0.89	YES	41	-2	-7	YES
44b.2(VSG-S)/15Ar/ 4/12Ar/ b44.2(VSG-S)	3FH	Iso	ECLAZ	0.7	55%	0.99	0.033	0.85	YES	46	-2	-7	YES
		Alu	ECLAZ	0.7	55%	0.99	0.075	0.96	YES	46	-2	-7	YES

**ECLAZ®**

Daylight is crucial for our human organism, our wellbeing and our health. Therefore, Internorm windows are equipped with premium glass coating ECLAZ® as standard. The blue components of the light spectrum are transported through the glass more and ensure up to 10 % more daylight. Compared to conventional market glazing, ECLAZ® is offering:

**More aesthetics** – colour-neutral outside view, a combination of function and aesthetics

**More light** – up to 10% more daylight – better for health and wellbeing – a significant advantage especially in the dark winter months\*

**Visual comfort** – for a brilliant view to the outside

**Room comfort** – makes living areas even lighter and friendlier

**Energy efficiency** – excellent insulation of interior thus reducing heating costs - increased energy efficiency in building - up to 11 % less CO<sub>2</sub> emissions

\* In direct comparison to same glass buildups.