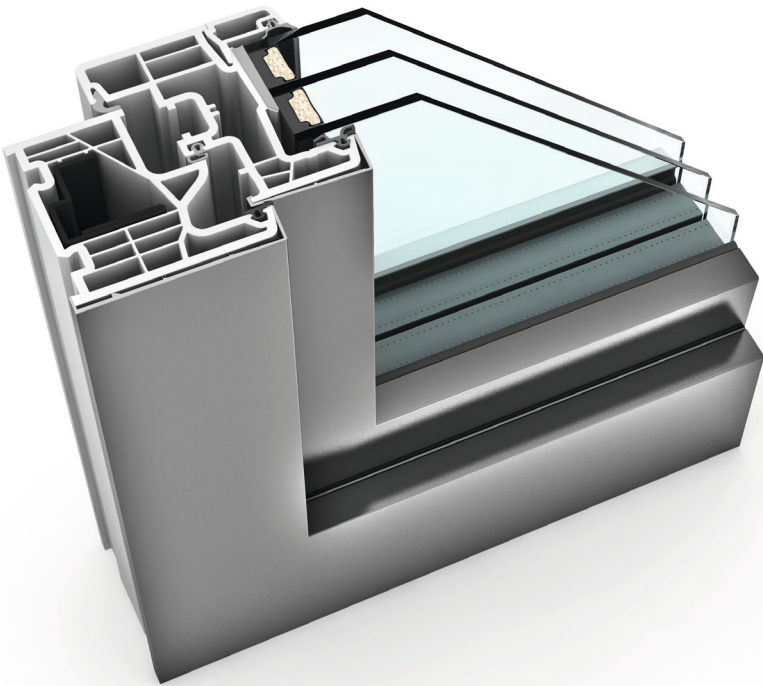







KF 310 UPVC/ALUMINIUM WINDOW



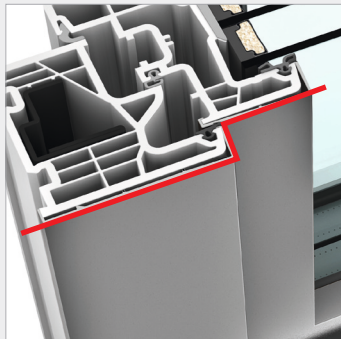
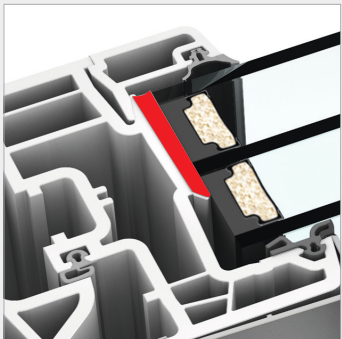
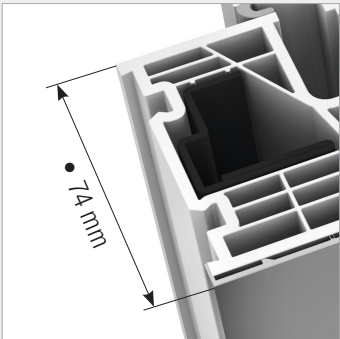
PROPERTIES

	Thermal insulation	U_w as low as 0.69 W/(m ² K)
	Sound reduction	up to 45 dB
	Security	RC1N, RC2
	Locking	concealed
	Construction depth	74 mm

I-tec Glazing

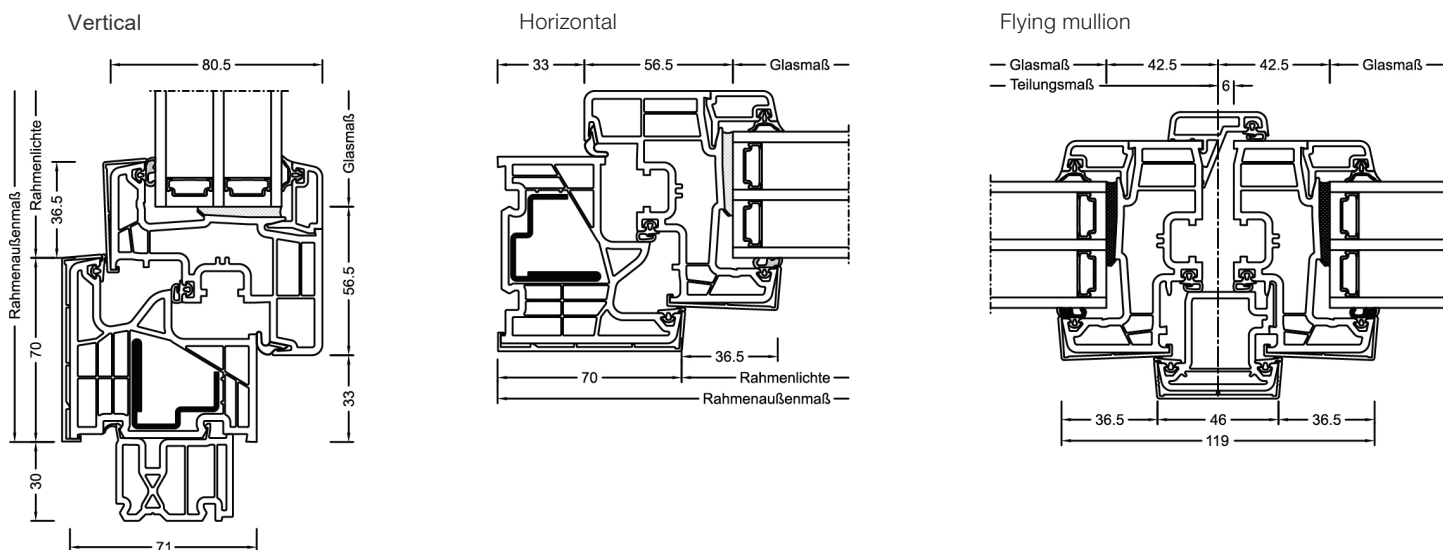


Experience KF 310 interactively now with Augmented Reality



KF 310
 This sleek new window features the proven and reliable technology of all our Internorm windows. It is characterised by the best thermal insulation and sound reduction values, as well as all round bonding of the glass pane with the window sash. KF 310 is available in a large selection of colours, handles and glazing, as well as a balcony and patio door and now also as Juliette balcony. The square-edged exterior design of the frame and sash matches the design style home pure.

Sections



Values

Glass buildup	GC	Spacer	Coating	Ug	g	Uf	Psi	Uw	Thermal certif.	Rw	C	Ctr	Sound certif.
4/16Ar/b4	20L	Iso	ECLAZ	1.1	71%	1.2	0.038	1.2	YES	33	-2	-6	YES
		Alu	ECLAZ	1.1	71%	1.2	0.065	1.3	YES	33	-2	-6	YES
8/12Kr/b4	2KA	Iso	ECLAZ	1.0	68%	1.2	0.038	1.1	YES	37			no
		Alu	ECLAZ	1.0	68%	1.2	0.065	1.2	YES	37			no
4b/18Ar/4/18Ar/b4	3N2	Iso	ECLAZ	0.5	60%	1.1	0.034	0.76	YES	34	-2	-6	YES
		Alu	ECLAZ	0.5	60%	1.1	0.075	0.86	YES	34	-2	-6	YES
6b/18Ar/4/16Ar/b4	33U	Iso	ECLAZ	0.5	59%	1.1	0.034	0.76	YES	39	-2	-6	YES
		Alu	ECLAZ	0.5	59%	1.1	0.075	0.86	YES	39	-2	-6	YES
"44b.2(VSG-S)/15Ar/4/12Ar/b44.2(VSG-S)"	3FH	Iso	ECLAZ	0.7	55%	1.1	0.034	0.90	YES	45	-2	-6	YES
		Alu	ECLAZ	0.7	55%	1.1	0.075	1.0	YES	45	-2	-6	YES

ECLAZ®

Daylight is crucial for our human organism, our wellbeing and our health. Therefore, Internorm windows are equipped with premium glass coating ECLAZ® as standard. The blue components of the light spectrum are transported through the glass more and ensure up to 10 % more daylight. Compared to conventional market glazing, ECLAZ® is offering:

More aesthetics – colour-neutral outside view, a combination of function and aesthetics

More light – up to 10% more daylight – better for health and wellbeing – a significant advantage especially in the dark winter months*

Visual comfort – for a brilliant view to the outside

Room comfort – makes living areas even lighter and friendlier

Energy efficiency – excellent insulation of interior thus reducing heating costs - increased energy efficiency in building - up to 11 % less CO₂ emissions

* In direct comparison to same glass buildups.