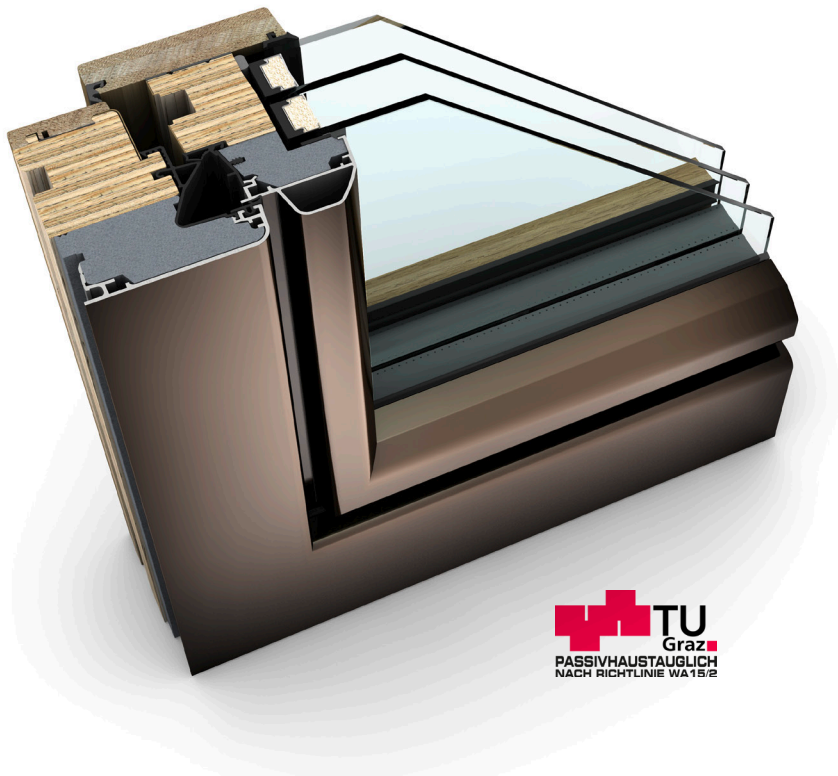




# HF 410 TIMBER/ALUMINIUM WINDOW



## PROPERTIES

|  |                           |   |
|--|---------------------------|---|
|  | <b>Thermal insulation</b> | $U_w$ as low as 0.64 W/(m <sup>2</sup> K) |
|  | <b>Sound reduction</b>    | up to 45 dB                               |
|  | <b>Security</b>           | RC1N, RC2                                 |
|  | <b>Locking</b>            | concealed                                 |
|  | <b>Construction depth</b> | 85 mm                                     |

I-tec Glazing

I-tec Core



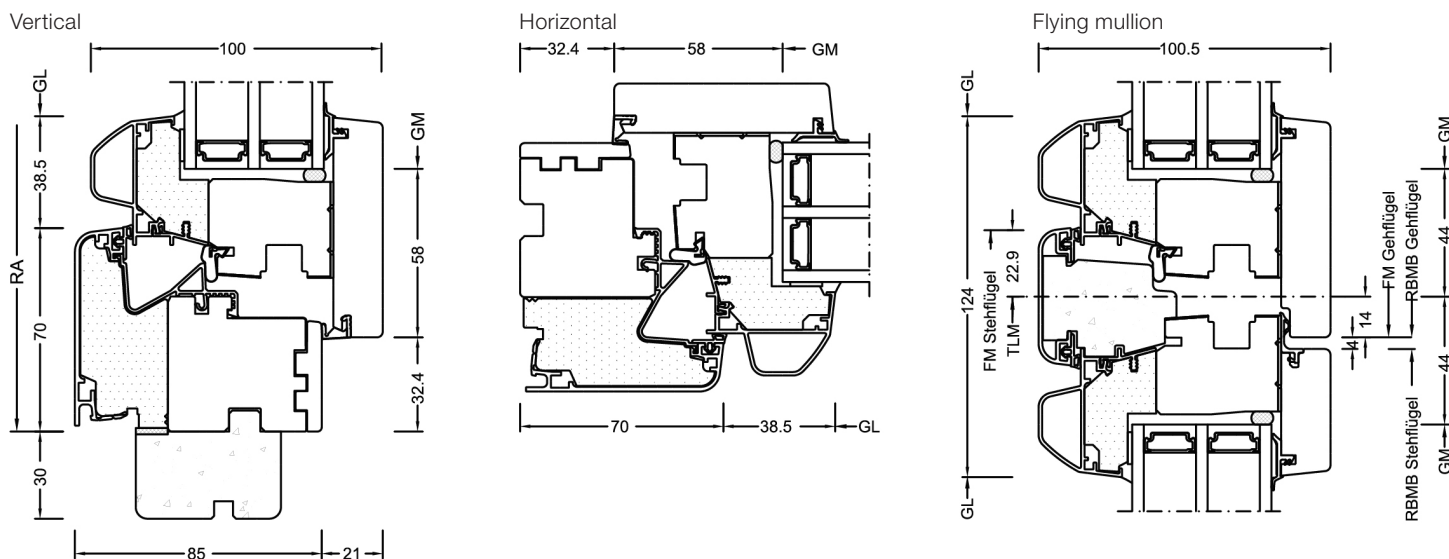
Experience HF 410 interactively now with Augmented Reality



### HF 410

The wide colour and timber range of the new timber/aluminium window HF 410 offers you countless possibilities for the harmonious design of your living space. Especially dark brown tones in combination with antique furniture and beautiful timber floors create an elegant living atmosphere. The tasteful elegance is supported by concealed hardware. In addition to many types of timber, we now also offer you a high-quality laminated timber composite encased with solid walnut. Particularly resource-saving and available at an attractive price/performance ratio.

Sections



Values

| Glass buildup                           | GC  | AH  | Coating | Ug  | g   | Uf   | Psi   | Uw    | Thermal certif. | Rw | C  | Ctr | Sound certif. |
|---|-----|-----|---------|-----|-----|------|-------|-------|-----------------|----|----|-----|---------------|
| 4b/18Ar/4/18Ar/b4                       | 3N2 | Iso | ECLAZ   | 0.5 | 60% | 0.86 | 0.033 | 0.70  | YES             | 35 | -2 | -6  | YES           |
|   |     | Alu | ECLAZ   | 0.5 | 60% | 0.86 | 0.079 | 0.80  | YES             |    |    |     |               |
| 6b/18Ar/4/16Ar/b4                       | 33U | Iso | ECLAZ   | 0.6 | 59% | 0.86 | 0.033 | 0.78* | YES             | 39 | -2 | -6  | YES           |
|   |     | Alu | ECLAZ   | 0.6 | 59% | 0.86 | 0.079 | 0.89* | YES             |    |    |     |               |
| 44b.2(VSG-S)/ 15Ar/4/12Ar/ b44.2(VSG-S) | 3FH | Iso | ECLAZ   | 0.7 | 55% | 0.86 | 0.033 | 0.88* | YES             | 45 | -2 | -6  | YES           |
|   |     | Alu | ECLAZ   | 0.7 | 55% | 0.86 | 0.079 | 0.99* | YES             |    |    |     |               |
| 4b/16Ar/4/15Ar/b44.2(VSG-S)             | 34N | Iso | ECLAZ   | 0.6 | 60% | 0.86 | 0.033 | 0.78* | YES             | 42 | -3 | -7  | YES           |
|   |     | Alu | ECLAZ   | 0.6 | 60% | 0.86 | 0.079 | 0.89* | YES             |    |    |     |               |

Values for home pure with test certificate

ECLAZ®

Daylight is crucial for our human organism, our wellbeing and our health. Therefore, Internorm windows are equipped with premium glass coating ECLAZ® as standard. The blue components of the light spectrum are transported through the glass more and ensure up to 10 % more daylight. Compared to conventional market glazing, ECLAZ® is offering:

**More aesthetics** – colour-neutral outside view, a combination of function and aesthetics

**More light** – up to 10% more daylight – better for health and wellbeing – a significant advantage especially in the dark winter months\*

**Visual comfort** – for a brilliant view to the outside

**Room comfort** – makes living areas even lighter and friendlier

**Energy efficiency** – excellent insulation of interior thus reducing heating costs - increased energy efficiency in building - up to 11 % less CO<sub>2</sub> emissions

\* In direct comparison to same glass buildups.